

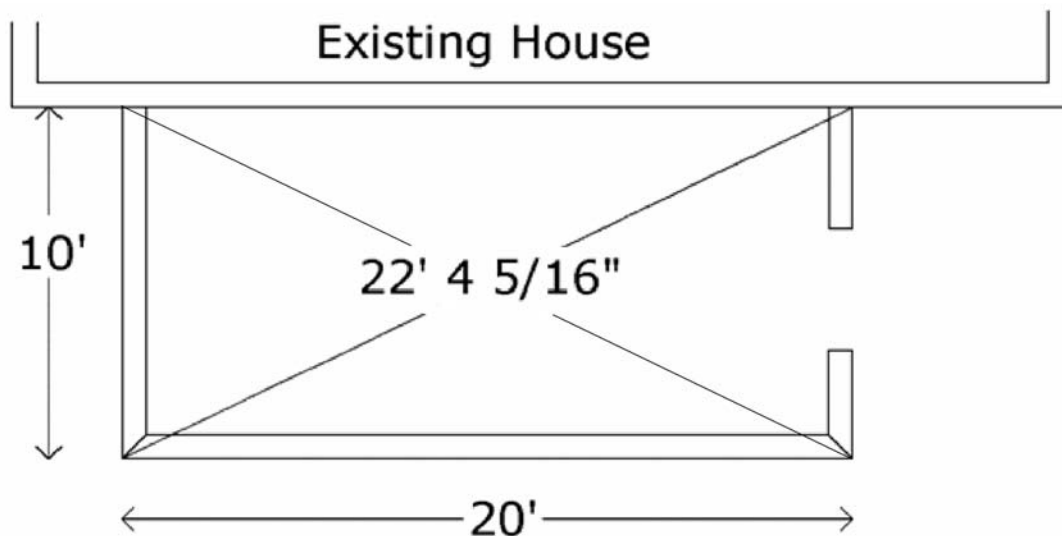
Mid Jersey Building Supply

Recommended Scenic View And Comfort Plus Rooms Installation Instructions.

1. Layout

- Mark size of the room on the slab. See drawing #1
- Check to see if the slab is square, by using diagonal measurements both ways.
- Use chalk lines to snap the inside and outside of walls.
- Mark out the location of door on the slab.
- Next place level lines up the walls from the floor layout.
- Next determine hanging rail height.
- Using a chalk line to snap lines for the hanging rail extending 1' on both sides of the outer wall lines.

Drawing #1

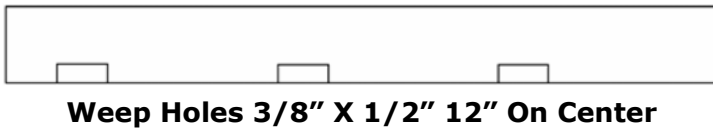


2. Floor Track

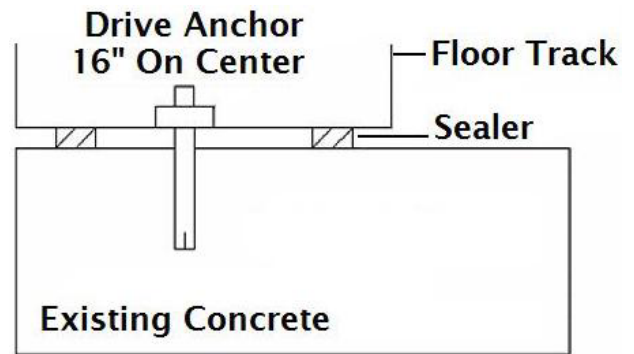
- Cut the 3" U Channel to the length of the front wall with a 45 degree angle on each end.
- Cut the 3" U Channel to the length of the side walls with a 45 degree angle on only one end. (Note: Do not put floor track in door opening.)
- Drill weep holes in floor track every 12 inches on center. See drawing #2.
- Install two heavy beads of sealer (Solar Seal, or Flex Seal) inside the lines you snapped for the floor track. (Note: Do not put sealer in door opening.) See drawing #3 or #3A.
- Lay 3" floor track in place, and check to make sure your room is still square.
- Drill 1/4 inch holes through the track at 16 inches on center. (Note: Drill 1/2 inch deeper than the length of anchors.) Secure with 1/4" x 1-1/2" expansion anchors or with 5/16" x 2" lags and washers 16" on center.
- Next use the sealer to cover over all anchors and seams.

Mid Jersey Building Supply
2486 Ridgeway Blvd
Manchester, NJ 08759
Phone: 732-657-2000

Drawing #2



Drawing #3



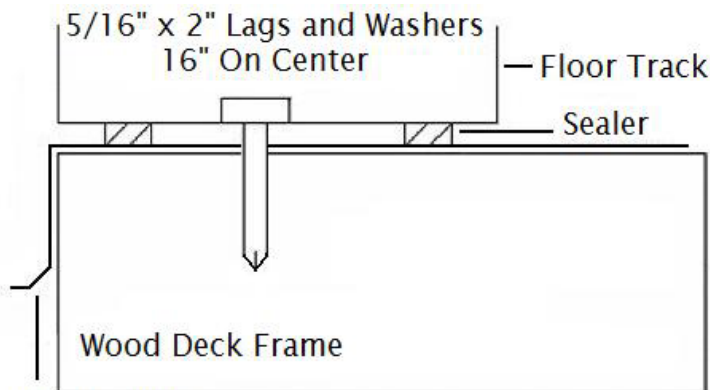
3. Wall Track

- Remove the siding between the inner and outer wall lines that are drawn from the floor track to the hanging rail.
- Install J Channel over siding ends and flash walls.
- Install bead of sealer to back of 3" wall track and attach with #8 x 5/8" tex screws 12" on center to wall where siding was removed.

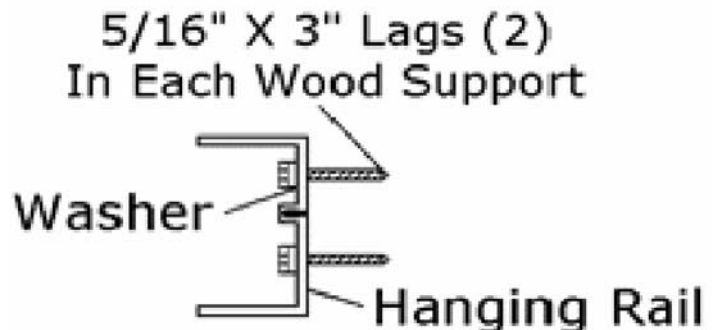
4. Hanging Rail

- Cut Hanging Rail to desired length.
- Pre drill hanging rail with two 5/16 inch holes top and bottom in every wood support. With a max of 24 inch on center.
- Install bead of sealer to the back of hanging rail and attach with 5/16" x 3" lags and washers. Use longer lags as needed. (Note: Minimum of 2 inches needed in solid wood.) See drawing #4.

Drawing #3A



Drawing #4



PVC Flashing

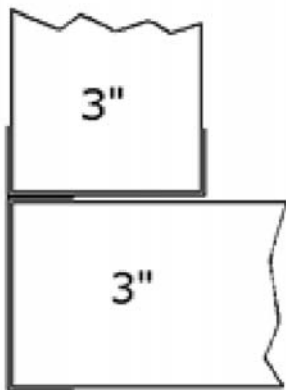
5. Front Wall

- Insert the corner caps into the floor channel. (Note: Cut to desired length, do not notch.) See drawing #5.
- Install top cap on front wall.
- Cut 3" panel to make fillers for the two end columns.
- Install front wall uprights on the end filler panels. (Note: Notched at both ends.)
- Install remaining filler panels with uprights. (Note: Notching and screwing at proper locations. See Drawing #6, and #7.)
- Cut 3" panel for both the kick plates and the header uprights. (Note: Notched at both ends.) Attach to the uprights as shown in Drawing #8 with caulking and 6 screws.

Mid Jersey Building Supply
2486 Ridgeway Blvd
Manchester, NJ 08759
Phone: 732-657-2000

Drawing #5

Corner Detail

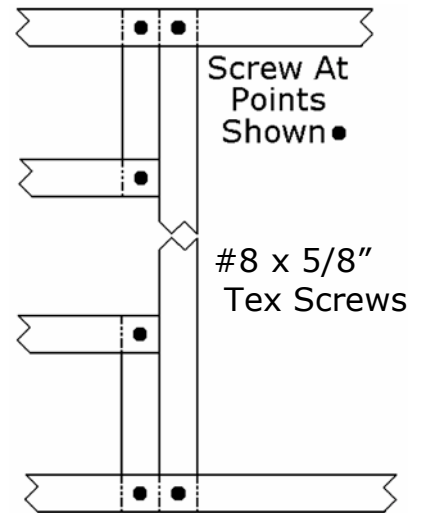


Front Wall

Drawing #6

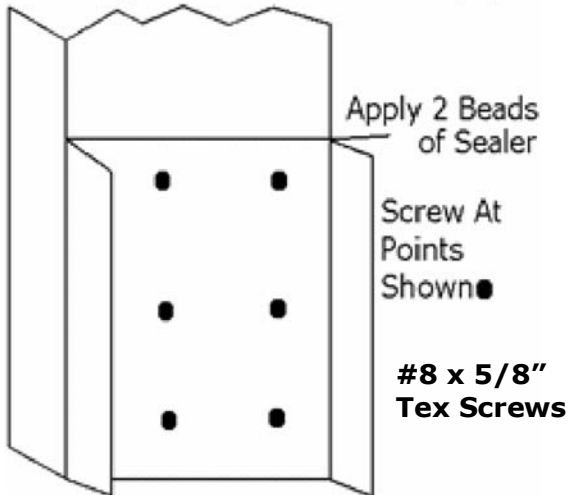


Drawing #7

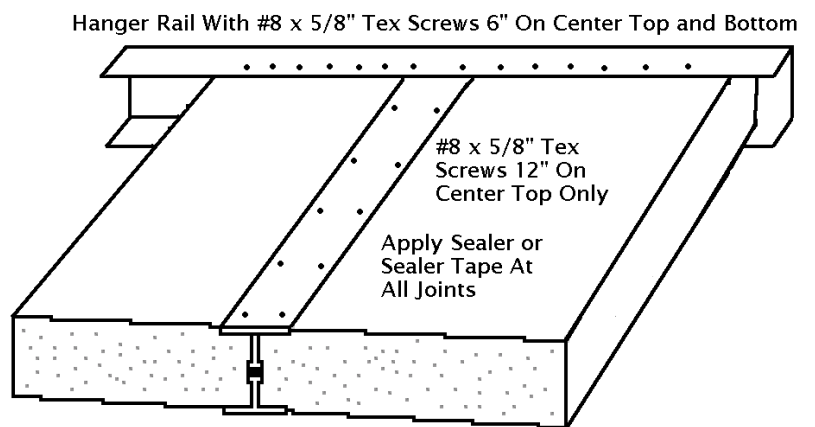


Drawing #8

Attaching Kick Plate Or Header Upright



Drawing #8A

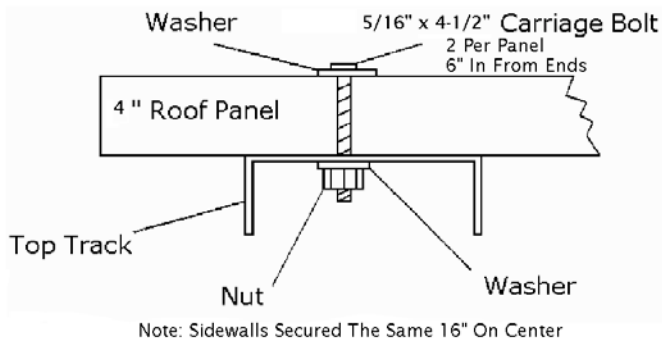


Mid Jersey Building Supply
2486 Ridgeway Blvd
Manchester, NJ 08759
Phone: 732-657-2000

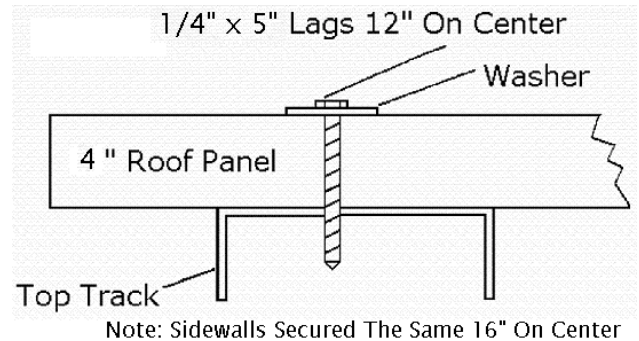
6. Roof

- A. Start installing roof with the first panel firmly inserted in the hanging rail. Make sure the first panel is squared up, before continuing. Once the panel is square proceed to screw every 6 inches through the hanging rail into the panel.
- B. Level front wall and install the carriage bolts through the roof into the front wall. Install two carriage bolts per panel. See drawing #9. Next screw through the top track into the panel using #8 Tex screws every 6 inch on center. An alternative method is to use 1/4 inch lags with washers and screw through the roof every 12" on center. See drawing #10.
- C. Attach the remaining panels by 4 inch H Channel on edge of first panel. Then sliding the second panel into the other side and secure H Channel #8 x 5/8" tex screws 12 inches on center. Also secure the panel at each end of the channel. Continue on till all panels have been installed and secured. See Drawing #8A.

Drawing #9



Drawing #10



7. Side Walls

- A. Install top caps of the side walls.
- B. Cut filler panels to size and install two end fillers.
- C. Install side wall uprights on end fillers. (Note: Notch both ends.)
- D. Install remaining fillers panels with side wall uprights. (Note: Notching and screwing at proper locations. See drawing #6 and #7.)
- E. Cut both kick plates and header uprights. (Note: Notch at both ends.) Attach to the uprights as shown on Drawing #8 with caulking and 6 screws.

8. Kick Plates

- A. Cut 3" panel to kick plate size, and insert into kick plate uprights.
- B. Cut sill plates to size (Note: Do not notch.) Slide sill plate over kick plate and kick plate uprights. Screw in place as shown on drawing #7.

9. Headers

- A. Cut 3" panel to header size, and insert into header uprights.
- B. Cut sill plates to size (Note: Do not notch.) Slide sill plate over header and header uprights. Screw in place as shown on drawing #7.

10. Windows and Doors

- A. Remove the nail fin on the window and insert window into opening.
- B. Next screw window to frame on the sides and top only with grabber screws.
- C. Repeat until all windows are installed.
- D. Caulk inside and outside with silicone caulk. (Note: Do not block weep holes.)
- E. Next on to the door, apply two beads of sealer to the door sill and screw on the top and sides with grabber screws and appropriate screws to floor for sill.

11. Gutters and Facia

- A. Cut gutter to length of the roof. (Note: Square cut only.) Screw the gutter every 6" on the top of the roof, and 24" on the bottom of the roof.

Mid Jersey Building Supply
2486 Ridgeway Blvd
Manchester, NJ 08759
Phone: 732-657-2000

B. Cut side facia to length. (Note: From hanging rail to outside edge of the gutter.) Screw every 6" on the top of the roof, and 24" on the bottom of the roof.

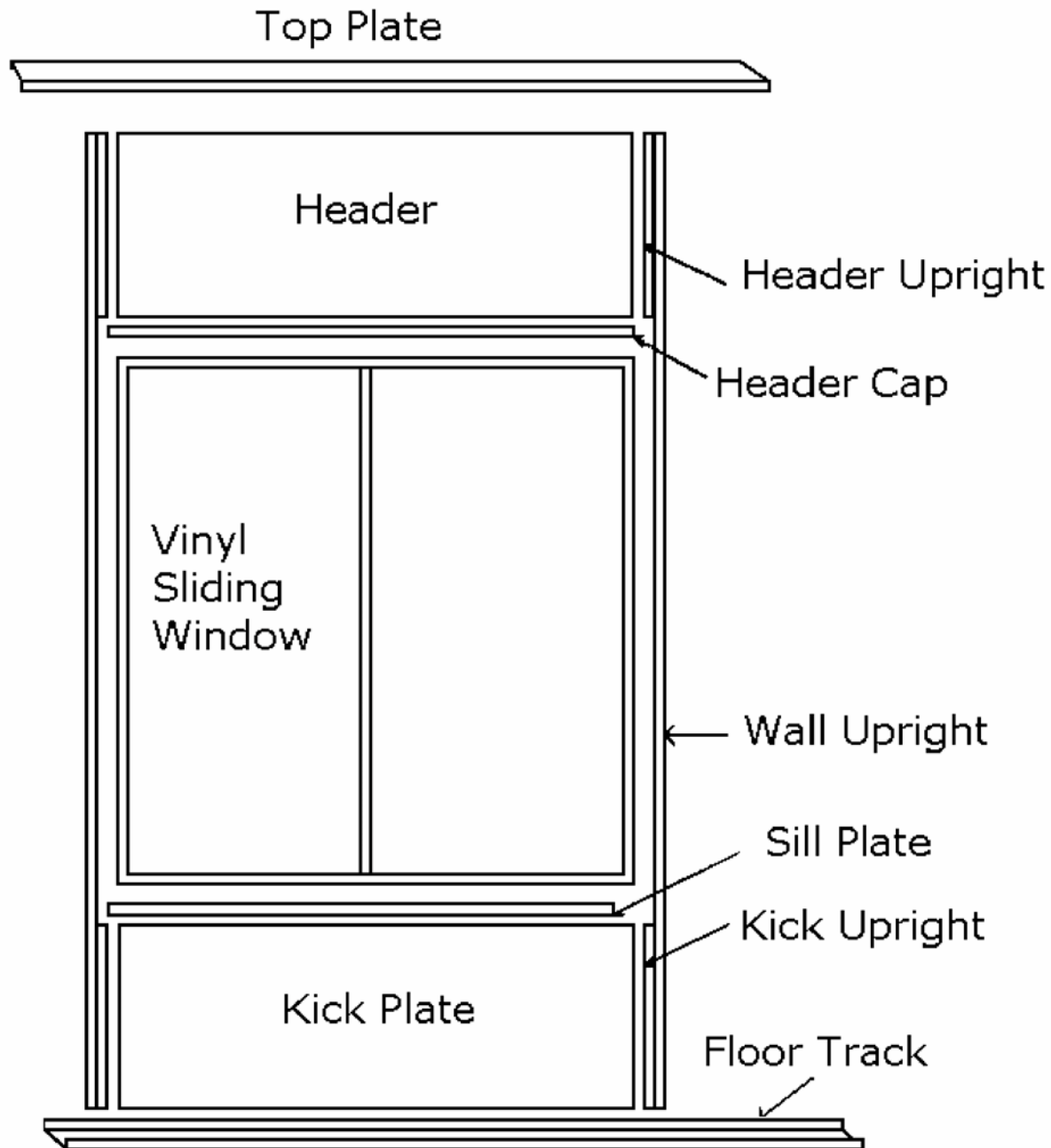
12. Sealing and Flashing

A. Clean the roof seams and joints with Laquer Thinner, install flashing as required, and seal the roof with solar seal or flex seal on all seams and joints.

B. Caulk all the exterior walls with silicone sealer.

13. Leaders

A. Install drop tube, elbows, and leaders as required.



Mid Jersey Building Supply
2486 Ridgeway Blvd
Manchester, NJ 08759
Phone: 732-657-2000